

LUNERA HELEN LAMP GEN 3

LED Replacement for 4-pin CFL



Description

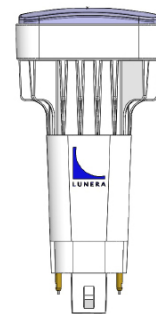
The Helen Lamp from Lunera is a plug-and-play LED replacement for CFL downlights with 4-pin G24q-series (electronic ballast) sockets. Simply choose the Horizontal or Vertical configuration, plug it in like any CFL lamp and enjoy the superior LED light quality and energy savings - there's no need to bypass the CFL ballast.

These beautiful LED lamps have a Color Rendering Index (CRI) of greater than 80 and deliver 900+ lumens of usable light. The Helen Lamp is available in 2700K, 3000K, 3500K, and 4000K color temperatures.

The long lifespan of the Helen Lamp is rated at 50,000 hours, five times longer than CFLs, and is supported by a five-year warranty. The Helen Lamp offers over 50% energy savings and is compatible with 26W, 32W, and 42W CFLs, making it easy to save even more energy.



Horizontal



Vertical

Features

- Directly replaces 26W, 32W, and 42W CFLs (4-pin)
- Plug-and-Play installation
- Delivers up to 970 lumens of usable light
- >80 CRI
- CCT 2700K, 3000K, 3500K and 4000K
- 50,000 hours to L70 lifespan
- 5-Year Warranty

Ordering Information

Example: HN-V-G24Q-26W-2700-G3

Series	Version	Socket Type	Lamp Wattage Replaced	CCT	Generation
HN: Helen Lamp	V: Vertical H: Horizontal	G24Q: Recessed downlight with G24q series 4-pin CFL socket	26W 26W, 32W, or 42W CFL	2700: 2700K 3000: 3000K 3500: 3500K 4000: 4000K	G3: 3rd Generation

PROJECT	CONTACT	MODEL NO.
REFERENCE NO.	QUANTITY	DATE

LUNERA HELEN LAMP GEN 3

Product Specifications

Illumination

Color Temperatures	2700K, 3000K, 3500K, 4000K
Delivered Lumens:	
2700K	890 lm (horizontal), 880 lm (vertical)
3000K	920 lm (horizontal), 912 lm (vertical)
3500K	940 lm (horizontal), 916 lm (vertical)
4000K	970 lm (horizontal), 950 lm (vertical)
CRI	>80
Color Consistency	Lunera TruColor™ Proprietary Process
Lumen Maintenance (L70)	50,000+ hours life

Electrical System

Power Factor	> 90% (determined by installed ballast)
Total Harmonic Distortion	< 20% (determined by installed ballast)
Input Voltage	Driven by CFL Ballast
Average Lamp Power	13W
Total Power (Lamp + Ballast)	15W (Horizontal), 15W (Vertical)
Lamp Wattage Replaced	26W (32W and 42W compatible)
Dimming	Yes, contact manufacturer for more details.

Physical

Weight	0.25 lbs
Housing and Finish	Aluminum, Painted
Optics	Optical Acrylic Diffusion

Environment

Ambient Operating Temp	-40°F to 150°F (-40°C to 75°C)
Ambient Operating Humidity	Dry and Damp Certified
Max Heat Sink Temp	221°F (105°C)
Thermal IQ™	Open or enclosed

Installation

Socket Type (electronic)	G24q series 4-pin CFL socket
--------------------------	------------------------------

Certifications & Qualifications

UL	Recognized, US, CAN
RoHS Compliant	Contains no lead or mercury
LM79, LM80, IES Files	Complete

Warranty

Warranty	5 years
----------	---------

Application Notes

The Helen Lamp is intended for operation with ballasts from the following manufacturers:

- Triad/Universal Lighting Technologies, OSRAM Sylvania, Philips Advance, Energy Savings.
- Hatch Model #s QTP 2x26CF/UNV DM, 226/32/42 UNV DM, ICF-2S26-H1-LD, ES-2-CFQ-26-120-C, HC226PS/UV/WJ

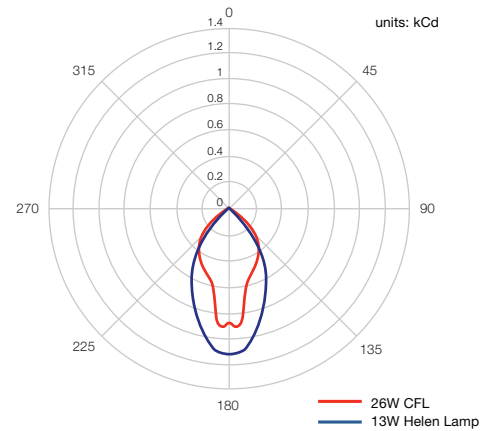
The Helen Lamp may be used in open, or fully enclosed fixtures. Indoor or outdoor. For applications containing dimming ballasts, please contact Lunera for specific compatibility.

CAUTION - IF THE LAMP OR LUMINAIRE EXHIBITS UNDESIRABLE OPERATION (BUZZING, FLICKERING, ETC.), IMMEDIATELY TURN OFF POWER, REMOVE LAMP FROM LUMINAIRE AND CONTACT MANUFACTURER.

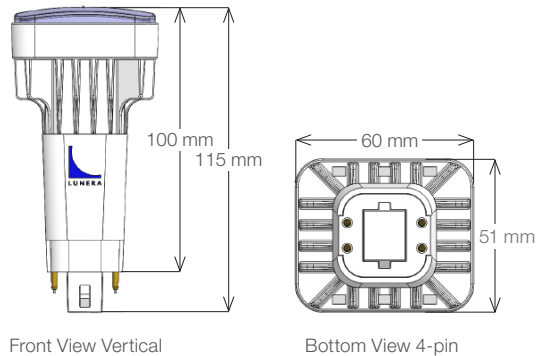
THIS LAMP ONLY OPERATES ON ELECTRONIC BALLASTS. IF LAMP DOES NOT LIGHT WHEN THE LUMINAIRE IS ENERGIZED, REMOVE LAMP FROM LUMINAIRE AND CONTACT LAMP MANUFACTURER OR QUALIFIED ELECTRICIAN.

Photometry

The Helen Lamp vs. 26W CFL, compared in the same downlight fixture.



Vertical Package



Horizontal Package

