

# LUNERA HELEN LAMP

## LED Replacement for 2-pin CFL



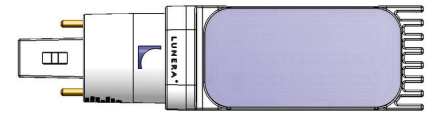
### Description

The Helen Lamp from Lunera is a plug-and-play LED replacement for CFL downlights with 2-pin G24d-series (magnetic ballast) sockets. Simply choose the configuration for Horizontal or Vertical versions, plug it in like any CFL lamp, and enjoy the superior light quality and energy savings - no need to bypass the CFL ballast.

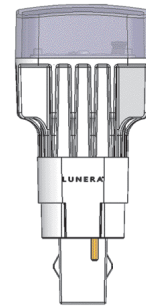
These beautiful lamps have a Color Rendering Index of 84 and deliver 900 lumens of usable light. The Helen Lamp is available in 2700K, 3000K, 3500K and 4000K color temperatures.

The long lifespan of the Helen Lamp is rated at 50,000 hours, 5x longer than CFLs, and is supported by a five year warranty.

The Helen Lamp offers 50%+ energy savings and is compatible with 13W, 18W or 26W CFLs, making it easy to save even more energy.



Horizontal



Vertical

### Features

- Directly replaces 13W, 18W and 26W CFLs (2-pin)
- Plug-and-Play installation
- >80 CRI
- CCT 2700K, 3000K, 3500K and 4000K
- 50,000 hours to L70 Lifespan
- 5-Year Warranty

### Ordering Information

Example: HN-V-G24D-26W-2700-G2

Series	Version	Socket Type	Lamp Wattage Replaced	CCT	Generation
<b>HN:</b> Helen Lamp	<b>V:</b> Vertical <b>H:</b> Horizontal	<b>G24D</b> Recessed downlight with G24d series 2-Pin CFL socket	<b>26W</b> 13W, 18W or 26W CFL	<b>2700:</b> 2700K <b>3000:</b> 3000K <b>3500:</b> 3500K <b>4000:</b> 4000K	<b>G2</b> 2nd Generation

PROJECT	CONTACT	MODEL NO.
REFERENCE NO.	QUANTITY	DATE

## Product Specifications - Horizontal Mount Lamp

### Illumination

Color Temperatures	2700K, 3000K, 3500K, 4000K	
Delivered Lumens:	@2700K	883 lm (horizontal), 920 lm (vertical) 660 lm (horizontal), 662 lm (vertical)
CRI	>80	
Color Consistency	Lunera TruColor™ Proprietary Process	
Lumen Maintenance (L70)	50,000+ hours life	

### Electrical System

Power Factor	> 90% (determined by installed ballast)
Total Harmonic Distortion	< 20% (determined by installed ballast)
Input Voltage	Driven by CFL Ballast
Average Lamp Power	13W
Total Power (Lamp + Ballast)	15W (Horizontal), 15W (Vertical)
Lamp Wattage Replaced	13W, 18W or 26W
Dimming	Non-dim applications only

### Physical

Weight	0.25 lbs
Housing and Finish	Aluminum, Painted
Optics	Optical Acrylic Diffusion

### Environment

Ambient Operating Temp	-4°F to 100°F (-20°C to 40°C)
Ambient Operating Humidity	20% to 85% RH, non-condensing
Max Heat Sink Temp	221°F (105°C)

### Installation

Socket Type (magnetic)	G24d series 2-Pin CFL socket
------------------------	------------------------------

### Certifications & Qualifications

UL	Recognized, US & CAN
RoHS Compliant	Contains no lead or mercury
LM79, LM80, IES Files	Available upon request

### Warranty

Warranty	5 years
----------	---------

### Application Notes

The Helen Lamp is intended for operation with ballasts from the following manufacturers:

- Triad/Universal Lighting Technologies
- OSRAM Sylvania
- Energy Savings
- Hatch model #s C213UNVME, QTP 2x26CF/UNV DM, 226/32/42, FUNV DM, ICF-2S18-H1-LD, ES-2-CFQ-26-120-C, HC226PS/UV/WJ

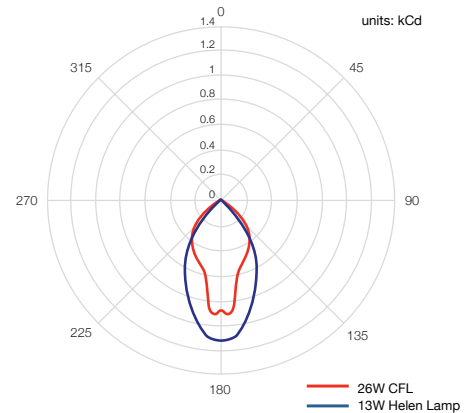
The Helen Lamp is not intended for use in lensed downlights. For applications containing dimming ballasts, please contact Lunera for specific compatibility.

**CAUTION** - IF THE LAMP OR LUMINAIRE EXHIBITS UNDESIRABLE OPERATION (BUZZING, FLICKERING, ETC.), IMMEDIATELY TURN OFF POWER, REMOVE LAMP FROM LUMINAIRE AND CONTACT MANUFACTURER.

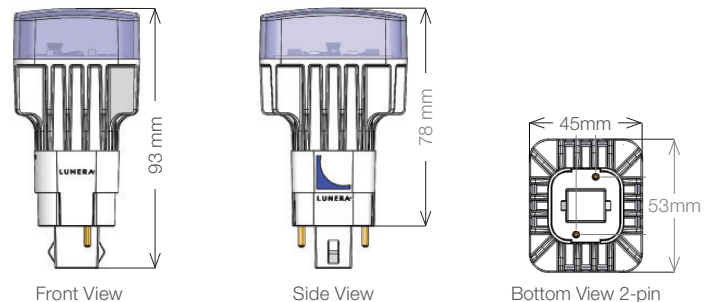
THIS LAMP ONLY OPERATES ON MAGNETIC BALLASTS. IF LAMP DOES NOT LIGHT WHEN THE LUMINAIRE IS ENERGIZED, REMOVE LAMP FROM LUMINAIRE AND CONTACT LAMP MANUFACTURER OR OR QUALIFIED ELECTRICIAN.

## Photometry

The Helen Lamp vs. 26W CFL, compared in the same downlight lamp.



## Vertical Package



## Horizontal Package

