

Date: _____ Type: _____

Firm Name: _____

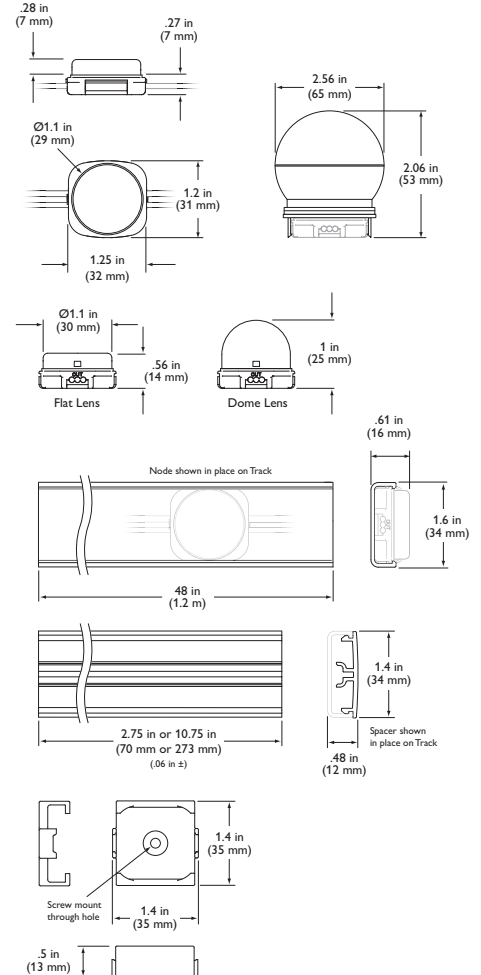
Project: _____

iColor Flex LMX

Flexible strands of large, high-intensity, full-color LED nodes

iColor® Flex LMX is a flexible strand of large, high-intensity, full-color LED nodes designed for extraordinary effects and expansive installations without the constraints of fixture size, or shape. Each iColor Flex LMX strand consists of 50 individually addressable LED nodes, featuring dynamic integration of power, communication, and control. The flexible form factor accommodates two- and three-dimensional configurations, while high light output affords superior long-distance viewing for architectural perimeter lighting, large-scale signage, and building-covering video displays.

- Superior light output — Each iColor Flex LMX node produces light output of up to 6.56 candela (full on).
- Multiple lens options — Clear flat and translucent dome lenses are standard. Optional marquee lenses, available in clear, translucent, and semi-frosted, snap onto flat-lens nodes to create the appearance of bulbs on a traditional theatre marquee.
- Adaptable mounting — Strands can be mounted directly to a surface like traditional string lights. Detachable leader cables in multiple lengths allow you to install strings at the appropriate distance from power / data supplies. Optional mounting tracks ensure straight linear runs, while snap-on spacers hide cabling and mounting hardware. Single node mounts can be positioned individually as anchor points for installations with uneven node spacing or complex geometries.
- Standard and custom lengths and node spacing — Standard on-center node spacing of 4 in (102 mm) or 12 in (305 mm) and custom spacing from 3 in (76 mm) to 24 in (610 mm) support virtually any lighting or video design. Standard 50-node strands can be field-shortened. Custom lengths of 5 to 72 nodes are also available.
- Custom Leader Cables — Custom Leader Cable lengths are available in addition to standard cables of 25 ft (7.6 m), 50 ft (15.2 m), and 100 ft (30.5 m).



- Industry-leading controls — iColor Flex LMX works seamlessly with the complete Philips line of controllers, including Video System Manager Pro and Light System Manager, as well as third-party DMX controllers.
- Outdoor rated — Fully sealed for maximum fixture life and IP66-rated for outdoor applications.

For detailed product information, please refer to the iColor Flex LMX Product Guide at www.colorkinetics.com/ls/rgb/flexlmx/

PHILIPS

Specifications

Due to continuous improvements and innovations, specifications may change without notice.

Item	Specification	Clear Flat Lens	Translucent Dome Lens
Output	Color Range	16.7 million additive RGB colors; continuously variable intensity	
	Lumen Maintenance‡	50,000+ hours L50 @ 50° C (full output)	
Electrical	Input Voltage	24VDC	
	Power Consumption	1 W max. per node at full output, steady state	
Control	Interface	sPDS-60ca 24V (DMX / Ethernet) PDS-60ca 24V (Pre-programmed, DMX, or Ethernet) PDS-480ca 24V (Ethernet)	
	Control System	Philips full range of controllers, including Video System Manager Pro and Light System Manager, or third-party DMX controllers	
Physical	Node Dimensions (Height x Width x Depth)	1.2 x 1.25 x .56 in (31 x 32 x 14 mm)	1.2 x 1.25 x 1 in (31 x 32 x 25 mm)
	Weight	2.2 lb (1 kg) 50-node strand, 4 in on-center node spacing	
	Housing	White or black polycarbonate	
	Lens	Clear or translucent plastic	
	Fixture Connections	Integrated watertight 3-pin connector	
	Operating Temperature	-4° – 122° F (-20° – 50° C) Operating ≥ 32° F (≥ 0° C) Handling -4° – 122° F (-20° – 50° C) Startup -22° – 185° F (-30° – 85° C) Storage	
	Humidity	0 – 95%, non-condensing	
Certification and Safety	Certification	UL / cUL, CE	
	LED Class	Class 2 LED product	
	Environment	Dry / Damp / Wet Location, IP66	
	Maximum Fixtures Per Power / Data Supply	sPDS-480ca 24V: 8 strands sPDS-60ca 24V: 1 strand PDS-60ca 24V : 1 strand	

‡ L50 = 50% maintenance of lumen output (when light output drops below 50% of initial output). Ambient temperature specified.



Fixtures and Accessories

Item	Type	Item Number	Philips 12NC	
iColor Flex LMX 4 in on-center node spacing	White	Clear Flat Lens	101-000067-02	910503700702
		Translucent Dome Lens	101-000067-06	910503700706
	Black	Clear Flat Lens	101-000067-00	910503700699
		Translucent Dome Lens	101-000067-04	910503700704
iColor Flex LMX 12 in on-center node spacing	White	Clear Flat Lens	101-000067-03	910503700703
		Translucent Dome Lens	101-000067-07	910503700707
	Black	Clear Flat Lens	101-000067-01	910503700701
		Translucent Dome Lens	101-000067-05	910503700705
Leader Cables	Black	25 ft (7.6 m)	108-000045-00	910503700696
		50 ft (15.2 m)	108-000045-01	910503700697
		100 ft (30.5 m)	108-000045-02	910503700698
Marquee Lens Kits Qty 50	White	Clear	999-000373-00	822221400077
		Translucent	999-000373-01	822221400078
	Black	Clear	999-000373-04	822221400081
		Translucent	999-000373-03	822221400080
	White	Semi-frosted	999-000373-02	822221400079
Black	Semi-frosted	999-000373-05	822221400082	
Mounting Track Qty 1	4 ft (1.2 m)	White	101-000057-00	910503700044
		Black	101-000057-01	910503700045
Spacers Qty 50	4 in (102 mm)	White	101-000059-00	910503700048
		Black	101-000061-00	910503700052
	12 in (305 mm)	White	101-000059-01	910503700048
		Black	101-000061-01	910503700053
Single Node Mounts Qty 50	White	101-000058-00	910503700046	
		Black	101-000058-01	910503700047
sPDS-480ca 24V	Ethernet	109-000026-00	910503700110	
PDS-60ca 24V	Pre-programmed	109-000016-00	910503700095	
	DMX	109-000016-01	910503700333	
sPDS-60ca 24V	Ethernet	109-000016-02	910503700334	
	DMX / Ethernet	109-000021-02	910503700106	
Video System Manager Pro	Ethernet, DVI Interface	103-000022-00	910503700325	
	Ethernet, Composite Interface	103-000022-01	910503700455	
Light System Manager	Ethernet	103-000015-02	910503700221	
iPlayer 3	DMX, North America Power Cord	103-000019-00	910403327101	
	DMX, Europe Power Cord	103-000019-01	910503700392	
ColorDial Pro	Ethernet	103-000025-00	910503700790	

Use Item Number when ordering in North America.

Photometrics

Brightness Per Node

Lensing	On-Axis Candela	Viewing Angle
Clear flat lens	6.56	105°
Translucent dome	1.16	172°
Clear marquee lens	5.17	105°
Semi-frosted marquee lens	4.60	92°
Translucent marquee lens	0.62	260°

Luminance of 1 m² Grid

All figures in nits (cd / m ²)	On-Center Node Spacing		
	3 in	4 in	12 in
Lensing	3 in	4 in	12 in
Clear flat lens	1109	656	105
Translucent dome	196	116	19
Clear marquee lens	874	517	83
Semi-frosted marquee lens	777	460	74
Translucent marquee lens	105	62	10



Philips Color Kinetics
3 Burlington Woods Drive
Burlington, Massachusetts 01803 USA
Tel 888.385.5742
Tel 617.423.9999
Fax 617.423.9998
www.colorkinetics.com

Copyright © 2009 Philips Solid-State Lighting Solutions, Inc. All rights reserved.
Chromacore, Chromasic, CK, the CK logo, Color Kinetics, the Color Kinetics logo, ColorBlast, ColorBlaze, ColorBurst, ColorGraze, ColorPlay, ColorReach, DIMand, EssentialWhite, eV, iColor, iColor Cove, IntelliWhite, iV, iPlayer, Light Without Limits, Optibin, and Powercore are either registered trademarks or trademarks of Philips Solid-State Lighting Solutions, Inc. in the United States and/or other countries. All other brand or product names are trademarks or registered trademarks of their respective owners. Due to continuous improvements and innovations, specifications may change without notice.

DAS-000050-01 R01 11-09